

DORMA EML330 & EML340 versatile electromagnetic locks allow on-site length modifications.

Designed to enhance the aesthetics of the installation, these locks provide a finished look as well as solid security for the end user.

A unique feature of these models is that their length can be field modified, using special end caps (included).

To achieve two-point locking for higher security applications, two EML330 or EML340 locks are mounted vertically.

For pairs of doors, one right-handed and one left-handed model can be mounted horizontally.

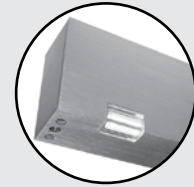
Listings & Approvals

- UL/CUL listed under their continuing reinspection programs and conforms to standards UL 10C and GWXT positive pressure fire testing, 1 hour fire rated
- ANSI/BHMA 156.23, Grade 1 pending
- CSFM pending
- Contributes to U.S. Green Building Council, LEED® MR Credits 2.1 4.1, 4.2, and 5.1

DORMA Solutions

- Up to 1500 lb (680 kg) holding force
- Larger LED size for better visibility (DP versions only)
- Length modifications on-site using special end caps after cutting (minimum length 24")
- Field selectable voltage—12/24 VDC
- MOV surge protection
- Built-in time delay (instant release with adjustable re-lock, programmable from 0–110 seconds)
- No residual magnetism
- Hardened steel armature nut
- Easy-access wiring cavity
- Low energy consumption
- Self-drilling tek™ fasteners
- 628 brushed anodized aluminum lock body
- Available by special request only

Larger LED Size for
Better Visibility
(BA versions only)



NOTE: When installed on access-controlled egress door assemblies, per NFPA101, must use *Push to Exit* labeled manual release device. DORMA push-button models PBEP, PB72, or PB73 are recommended.



Finish¹

Plated

- Brass: 605 (Bright) or 606 (Satin)
- Bronze: 613 (Oxidized Satin)
- Chrome: 625 (Bright) or 626 (Satin)

Painted

- Bronze: 691 (Dull)
- Black: 693
- Gold: 696 (Satin)

1. Lock body supplied in 628. All other finishes supplied as a cover.

Optional Mounting Accessories

- Angle brackets
- Armature plate holders
- Glass door brackets
- Spacers
- Armature bolts
- DSR retrofit kit—**DSR15**

Options

DP—Door position sensor (retrofit kits available)

BA DP—Door position/bond alert sensor combination

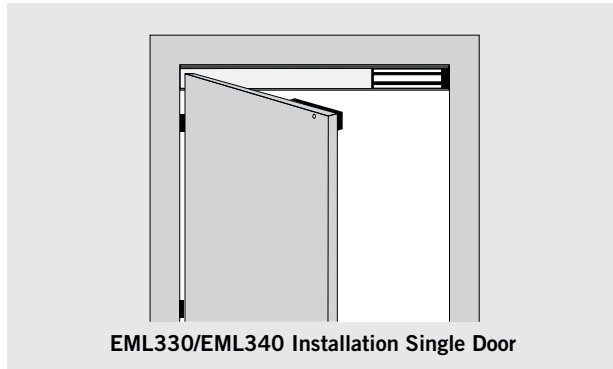
Special Finishes—710 anodized dark brown available (special request)

Specifications	EML330	EML340
Housing Dimensions	1-5/8" D × 2-7/8" W × 34-1/2" L (41.3 mm × 73.0 mm × 876.3 mm) (including 1/4" (6 mm) mounting bracket)	1-5/8" D × 2-7/8" W × 46-1/2" L (41.3 mm × 73.0 mm × 1181.1 mm) (including 1/4" (6 mm) mounting bracket)
Armature Plate Dimensions	Standard: 5/8" D × 2-3/8" W × 7-7/16" L* (15.9 mm × 60.3 mm × 188.9 mm)	Standard: 5/8" D × 2-3/8" W × 7-7/16" L* (15.9 mm × 60.3 mm × 188.9 mm)
Voltage	Field selectable 12/24 VDC Tolerance ±10%	Field selectable 12/24 VDC Tolerance ±10%
Power/Current Requirements	Max 0.28 A at 12 VDC Max 0.28 A at 24 VDC	Max 0.28 A at 12 VDC (each lock) Max 0.28 A at 24 VDC (each lock)
Holding Force	One-point locking (1500 lb)	One-point locking (1500 lb each point)
Output Relays	BA—SPDT 1.25 A @ 24 VDC DP—SPDT 0.20 A @ 12 VDC and 0.12 A @ 24 VDC	BA—SPDT 1.25 A @ 24 VDC DP—SPDT 0.20 A @ 12 VDC and 0.12 A @ 24 VDC
Wiring Requirements	2 wires—power input; up to 4 wires output	2 wires—power input; up to 4 wires output
Operating Temperature	14 to 140° F (–10 to 60° C)	14 to 140° F (–10 to 60° C)

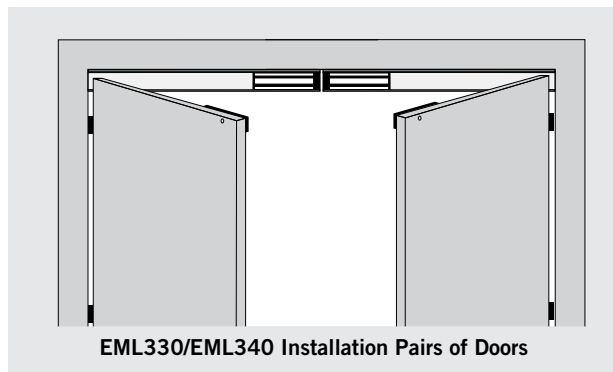
*DP armature plates are 5/8" D × 2-3/8" W × 10" L (15.9 mm × 60.3 mm × 254.0 mm) or 3/8" D × 2-3/8" W × 10" L (9.5 mm × 60.3 mm × 254.0 mm).

NOTE: DORMA recommends frame reinforcement and our filtered, regulated DC voltage PS500 Series power supplies.

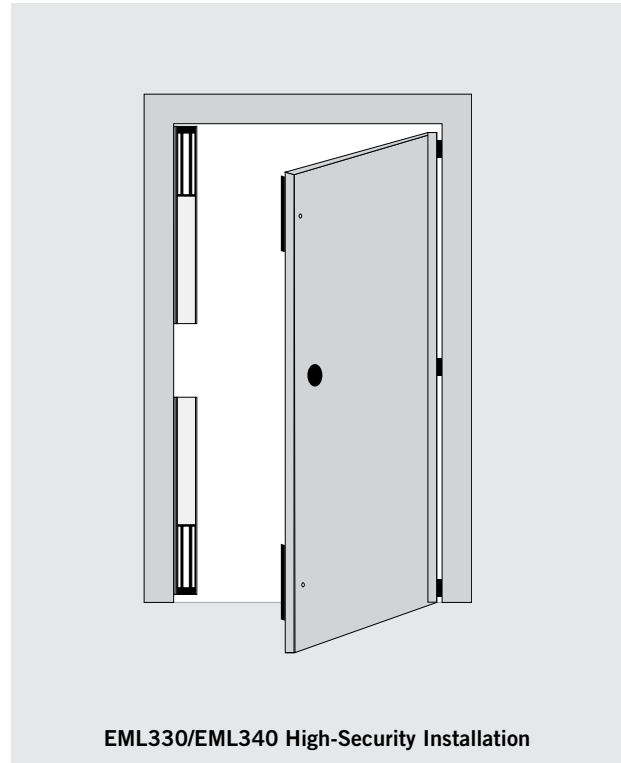
Function	Function Descriptions
Bond Alert Sensor (BA)	Electronic field presence sensor for remote and local LED indication of reduced holding force caused by materials between magnet and plate, and unlocked device due to current loss.
Door Position Sensor (DP)	Ceramic magnet-reed type sensor for remote indication of door status (opened or closed, independent of local power); magnet embedded in armature for tamper resistance; reed switch inside electronic housing cavity for easy access.
Low-Voltage Detection	Low voltage dramatically reduces electromagnetic lock holding force. This detection feature signals the BA relay/LED to activate (alarm) when voltage drops below 10.3 VDC (12 V input) or 20.5 VDC (24 V input).



EML330/EML340 Installation Single Door



EML330/EML340 Installation Pairs of Doors



EML330/EML340 High-Security Installation

DORMA also offers a complete line of Electromagnetic Locks, Electric Strikes, Door Controls, Power Supplies, Switches, Keypads & Readers, Exit Devices, Systems & Door Hardware.

DORMA Americas
www.dorma-usa.com

DORMA Architectural Hardware
DORMA Drive, Drawer AC
Reamstown, PA 17567-0411
Telephone: (800) 523-8483
Facsimile: (800) 274-9724
E-mail: archdw@dorma-usa.com

DORMA Canada
1680 Courtney Park Drive, Unit 13
Mississauga, Ontario L5T 1R4
Telephone: (800) 387-4938
Facsimile: (905) 670-5850
E-mail: sales@dormacanada.com

DORMA Mexico, S. de R.L. de C.V.
Astrónomos 28, Col. Escandón
México, D.F. 11800
Del. Miguel Hidalgo
Telephone: (52+55) 5272-6937
Facsimile: (52+55) 5272-6948
E-mail: operacion@dorma.com.mx